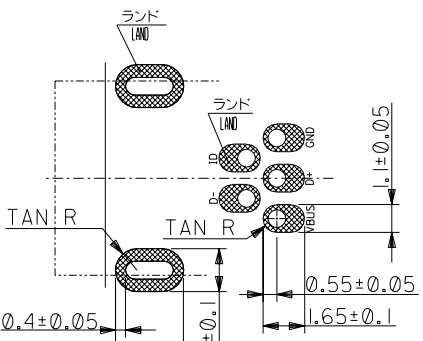
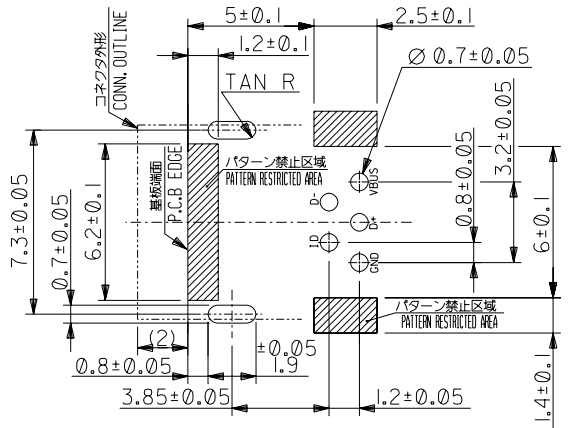
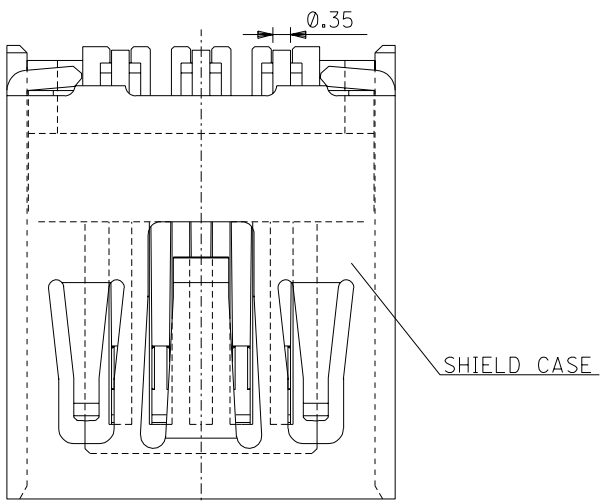
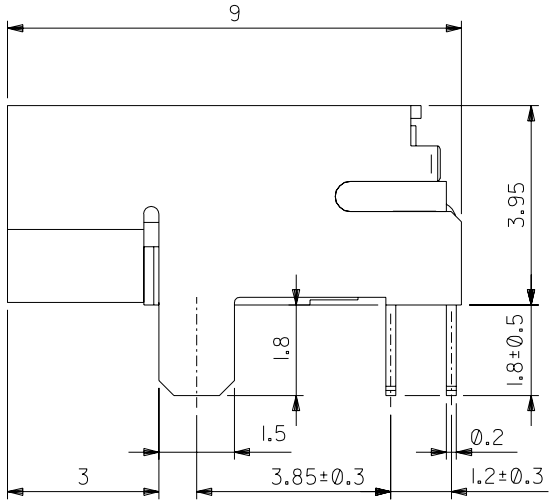
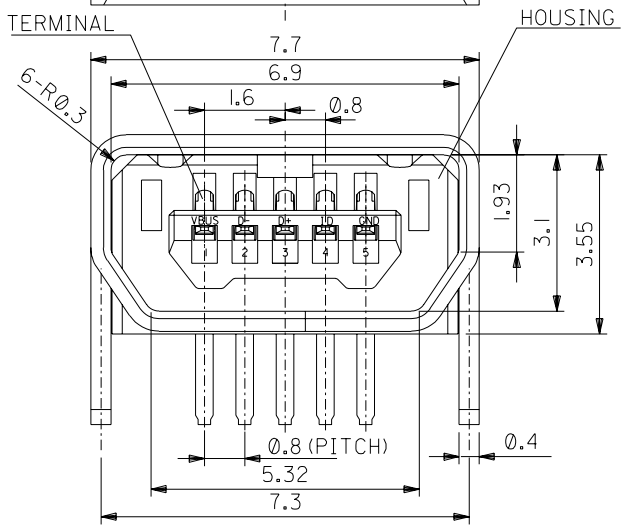


コネクタ実装側 (CONNECTOR MOUNT SIDE)

逆側 (REVERSE SIDE)



推奨基板寸法  
RECOMMENDED P.C.B. PATTERN LAYOUT



- 注記 1. 材質  
NOTES MATERIAL  
ハウジング:ポリフタルアミド ガラス充填 灰色 UL94V-0  
HOUSING:POLYPHTHAL AMIDE GLASS FILLED,GRAY,UL94V-0  
ターミナル:銅合金 (t=0.2)  
TERMINAL:COPPER ALLOY(t=0.2)  
シールド ケース:銅合金 (t=0.4)  
SHIELD CASE:COPPER ALLOY(t=0.4)
2. メッキ仕様  
PLATING  
ターミナル  
TERMINAL  
接点部:金メッキ 0.76μm MIN.  
CONTACT AREA:GOLD 0.76MICRO METER MIN.  
半田付け部:鍍メッキ 1.0μm MIN.  
SOLDER TAIL AREA:TIN 1.0MICRO METER MIN.  
下地部:ニッケルメッキ 4.0μm MIN.  
UNDER PLATING:NICKEL 4.0MICRO METER MIN.  
シールド ケース  
SHIELD CASE  
:鍍メッキ 1.0μm MIN.  
:TIN 1.0MICRO METER MIN.  
下地部:ニッケルメッキ 1.0μm MIN.  
UNDER PLATING:NICKEL 1.0 MICRO METER MIN.
3. 本製品は56579-0511の鉛フリー品である。  
THIS PRODUCT IS LEAD FREE OF 56579-0511

DO NOT SCALE DRAWING

図番 NO. DRAWN: CHK'g: APPR:	図番 NO. DRAWN: CHK'g: APPR:	図番 NO. DRAWN: CHK'g: APPR:	図番 NO. DRAWN: CHK'g: APPR:	図番 NO. DRAWN: CHK'g: APPR:	図番 NO. DRAWN: CHK'g: APPR:
RELEASED 図番 NO. J2004-2996 DRAWN: M.NAGATA '04/03/10 CHK'g: K.TOJO '04/03/10 APPR: M.SASAO '04/03/10					

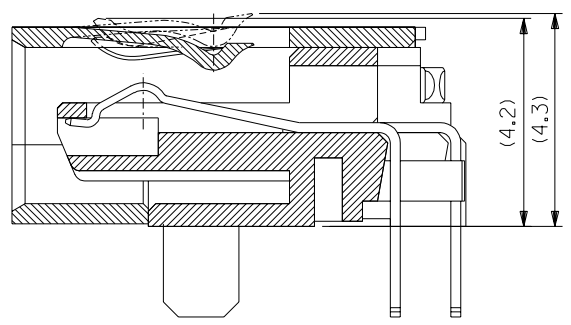
DESCRIPTION	SEE NOTES
FINISH 仕上げ	SEE NOTES
WIRE RANGE 適用線径範囲	— #
INS. RANGE 被覆外径	— #

MATERIAL 材料	SEE NOTES
GENERAL TOLERANCES: (UNLESS SPECIFIED) 一般公差	10 UNDER 未満 ±0.2 10 OVER 以上 30 UNDER 未満 ±0.25 30 OVER 以上 ±0.3
ANGLE 角度	±3°

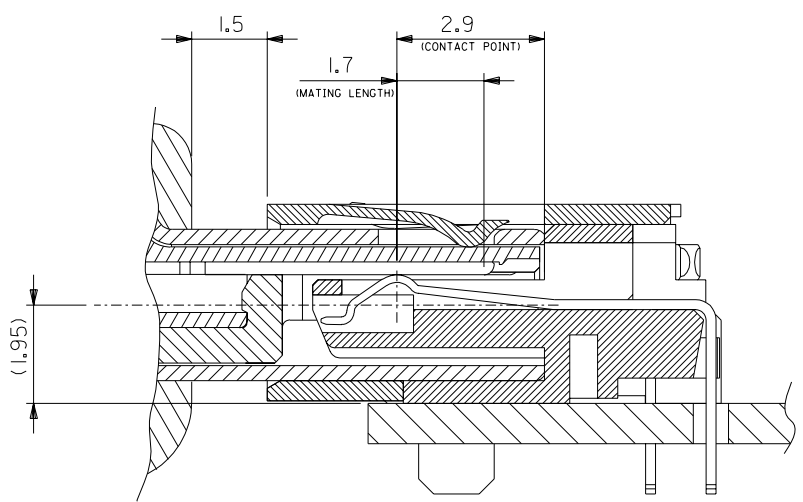
SCALE #	DESIGN UNITS
<input type="checkbox"/> mm <input checked="" type="checkbox"/> INCH <input type="checkbox"/> mm <input type="checkbox"/> INCH	<input checked="" type="checkbox"/> FIRST ANGLE PROJECTION <input type="checkbox"/> THIRD ANGLE PROJECTION
DRAWN BY & DATE M.NAGATA '04/03/10	CHECKED BY & DATE K.TOJO '04/03/10
APPROVED BY & DATE M.SASAO '04/03/10	CAD FILENAME SD-56579-014.S01

MODEL NO.	56579-**-19	DIMENSIONS:	SHT	REV
<input type="checkbox"/> mm <input type="checkbox"/> INCH <input checked="" type="checkbox"/> mm <input type="checkbox"/> INCH	<input type="checkbox"/> mm <input type="checkbox"/> INCH ONLY <input checked="" type="checkbox"/> mm <input type="checkbox"/> INCH ONLY	22°±0.5° 22°±0.5°		
TITLE: USB SERIES MINI-AB REC. ASS'Y DIP -LEAD FREE-				
MOLEX INCORPORATED				
CAD FILENAME	MATERIAL NO.	DRAWING NO.	SHEET NO.	
SD-56579-014.S01	56579-0519	SD-56579-014	1 OF 2	
THIS DRAWING CONTAINS INFORMATION THAT IS PROPRIETARY TO MOLEX INCORPORATED AND SHOULD NOT BE USED WITHOUT WRITTEN PERMISSION.				
				SIZE
				B

DWG. NO. SD-56579-014



SECTION



MATING

DO NOT SCALE DRAWING

164 NO. DRWN: CH'K: APPR:	163 NO. DRWN: CH'K: APPR:	162 NO. DRWN: CH'K: APPR:	161 NO. DRWN: CH'K: APPR:	160 NO. DRWN: CH'K: APPR: SEE SHEET 1
MATERIAL 材料 SEE NOTES				
FINISH 仕上り SEE NOTES				
WIRE RANGE 適用電線範囲 #				
INS. RANGE 被覆外径 #				

GENERAL TOLERANCES: (UNLESS SPECIFIED) 一般公差	10 UNDER 未満 ±0.2	10 OVER 30 UNDER 未満 ±0.25	30 OVER 以上 ±0.3
SCALE 1/1	DESIGN UNITS <input checked="" type="checkbox"/> mm <input type="checkbox"/> INCH	DRAWN BY & DATE M.NAGATA '04/03/10	
ANGLE 角度 ±3°	CHECKED BY & DATE K.TOJO '04/03/10		APPROVED BY & DATE M.SASAO '04/03/10
CAD FILENAME SD-56579-014.S02		MATERIAL NO. 56579-0519	DRAWING NO. SD-56579-014

DIMENSIONS: <input type="checkbox"/> mm <input type="checkbox"/> INCH <input checked="" type="checkbox"/> mm <input type="checkbox"/> INCH ONLY	SHT 2 REV 2
---	----------------

TITLE: USB SERIES MINI-AB REC. ASS'Y DIP -LEAD FREE-	MOLEX INCORPORATED
SHEET NO. 2	SIZE B